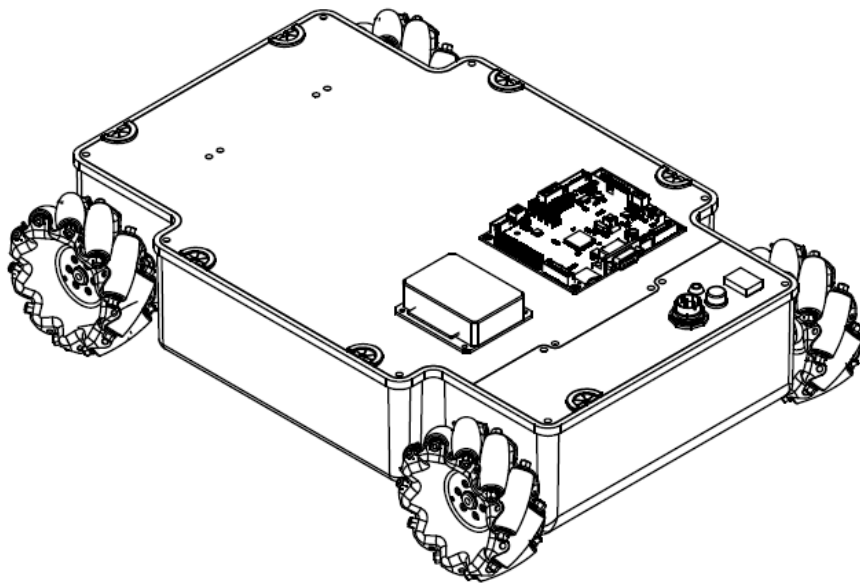


Compass Q2

Four-wheel Omni-directional Robot Platform

User Manual V1.2



Chengdu Hangfa Hydraulic Engineering Co., Ltd

Robot Division

Feb 3rd, 2017

Safety Warnings

Please do not switch on power for the robot before you read and fully understand this Manual.

Please do not plug or dismount any part of the robot when the robot is powered on.

Please switch the main power off if any emergency happens.

Original power adaptor shall be used for charge.

The robot platform does not fireproof or waterproof, therefore please keep robot platform away from fire or water as far as possible.

Please keep a safe distance from robot platform, for errors might occur whether on the program itself or during manual operation.

Copyright Statement

Hangfa Company owns the intellectual property rights of this Manual, and hardware & software involved. Anyone or any party shall not copy, plagiarize, disclose or release relevant contents in any form without written authorization of Hangfa Company.

CATALOGUE

1	Description.....	3
2	Features	3
3	Get to know your Discovery Q2	4
3.1	Exterior structure	4
3.2	Interior structure.....	5
4	Let your Compass Q2 robot platform move.	6
4.1	Position Parallel Movement DEMO.....	7
4.2	Self-movement in Place DEMO	7
5	System Brief Introduction	8
5.1	Typical Research and Application Area	8
5.2	Specification Parameters.....	8
6	Mechanical systems	9
6.1	Dimensions.....	9
6.2	Main structure	9
6.3	Motor	9
6.4	Omni wheel.....	11
6.5	Rocker suspension.....	11
6.6	Users extension platform.....	11
6.7	The thread hole.....	11
7	Electric system	12
7.1	Electrical principle drawing.....	12
7.2	IMDR4 Four shaft driver.....	13
7.2.1	The Module overview	13
7.2.2	Interface description	13
7.3	IFB1205 power and bus port module	16
7.3.1	Module summary.....	16
7.3.2	Port description.....	16
7.4	RHF 407 Development Board.....	19
8	User Extend	19
8.1	Bus Extend.....	19
8.2	RHF407 Extend.....	19
8.3	Design Your Own Main Control Unit	20
8.4	Accessories Can Be Choose.....	21
9	Packing List.....	21
10	Technical Support and Quality Guarantee	21

1 Description

As economical small robot platform, the Compass series are aimed at offering a complete, multi-interfaced and highly reliable moving robot system at the best cost-performance. Compass Q2 is such a platform with four QMA-10 Mecanum wheels which are made by Hangfa itself. Compared to the traditional ones, the wheels are able to move laterally, rotate, or rotate when move laterally. The robot platform chassis is made by mold. Compass Q2 is driven by 4 high power coreless servo motors with 4-axis servo driver, and supports CAN bus and RS232 serial ports. SDK is provided to the users with complete communication protocol and the samples and demonstration programs source code based on the STM32F407, so that the users could get it started as soon as possible.

2 Features

- 360 degree free movement

With 4 Mecanum wheels, the robot platform is able to move in all directions horizontally, and rotate in the same time.

- Suspension system

Rocker suspension structure enables the 4 wheels to touch the ground and be driven evenly. This suspension system can help reducing vibration when passing the rough ground.

- Wholly casted chassis

This robot chassis is made by mold with strong structure. Our processing center keeps the high precise four-wheel relative position. This chassis is much stronger than the welded chassis which is with big error and low precision.

- Precise Mecanum wheel

The classic series QMA-10 Mecanum wheel is made by Hangfa with industrial grade quality. Each wheel roller is with two bearing which moves smoothly and steadily.

- Coreless DC servo motor

The 4 coreless DC servo motors realize the high power density, high torque and quick speed response. The motor is with precise plant gearbox and 500RMP encoder.

- 4- axis servo driver

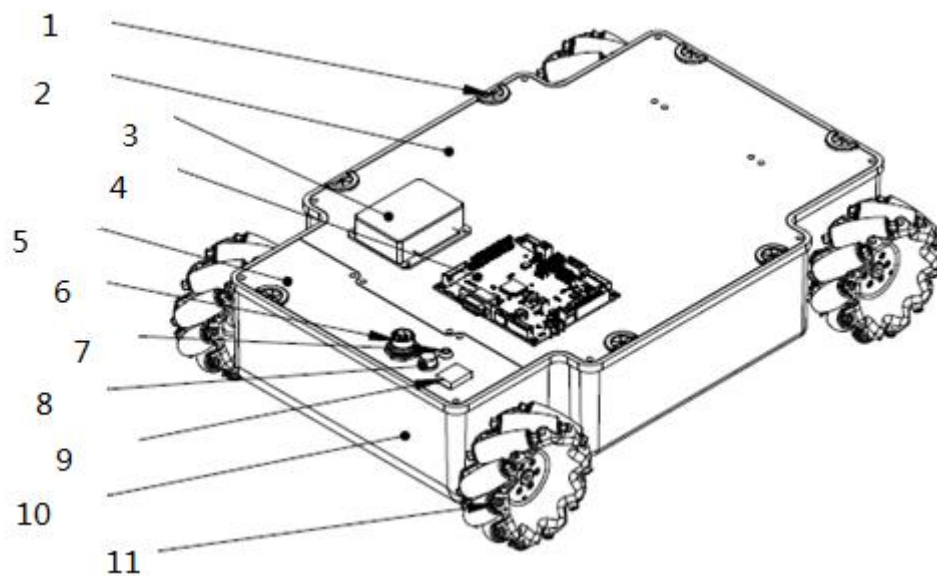
Such driver enables the motor to perform a good characteristic curve. The user could control the motor speed quick and accurately, not affected by the changes in the loading and ground, so that the robot performs accurately and reliably.

- DEMO development board

With STM32F407 as the core, the RHF407 development board offers the open source C# programming language SDK, to aid the users to operate on the robot. High computing performance and multiple ports enable the user to carry on it different application and development.

3 Get to know your Discovery Q2

3.1 Exterior structure

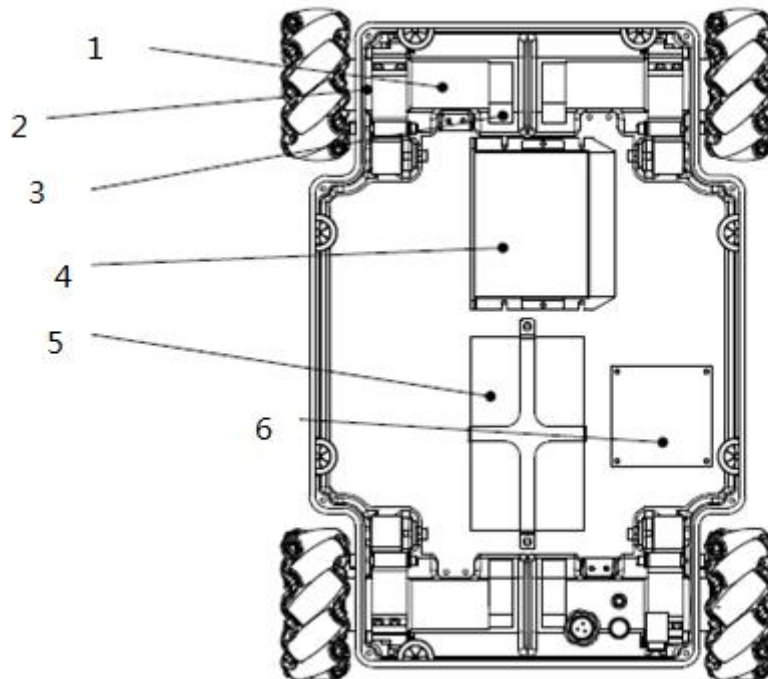


- 1、 wire hole
Wire from inside of the robot to outside.
- 2、 Big cover plate
- 3、 Wireless receiver module
- 4、 RHF407 development board
STM32F407 as the core of the development board, it offers the users demonstration program and application source code. For the details, please check the RHF407 User Manual.
- 5、 Small cover plate
- 6、 recharger socket
For recharging the robot; the recharging state is independent of power switch.
- 7、 power light
That the light is on/off indicates the robot is on/off.
- 8、 power fuse
The fuse will blow out for protection, in the case of short circuit or false operation.
- 9、 power fuse

The fuse will blow out for protection, in the case of short circuit or false operation.

- 10、 Chassis body
- 11、 QMA-10 Mecanum wheel

3.2 Interior structure



- 1、 Plant Gearbox
- 2、 Motor
- 3、 Encoder
- 4、 Driver
- 5、 Lithium Battery
- 6、 Power source and bus ports modular

4 Let your Compass Q2 robot platform move.

By RHF407 development board, discovery Q2 pre-builds two demonstration programs, which demonstrate the robot parallel movement function and self-movement function. The user can push SW2 and SW3 buttons on the development board to achieve action1 and action 2. It is necessary to install the RHF407 develop board onto the robot, connect the CN4 port to any 8pin plug of the IFB1205 BIM by incidental cable, and switch it on.

Step 1: Disassemble the top panel to check each component.

Step 2: Connect the battery plug to the J6 port of IFB1205 board

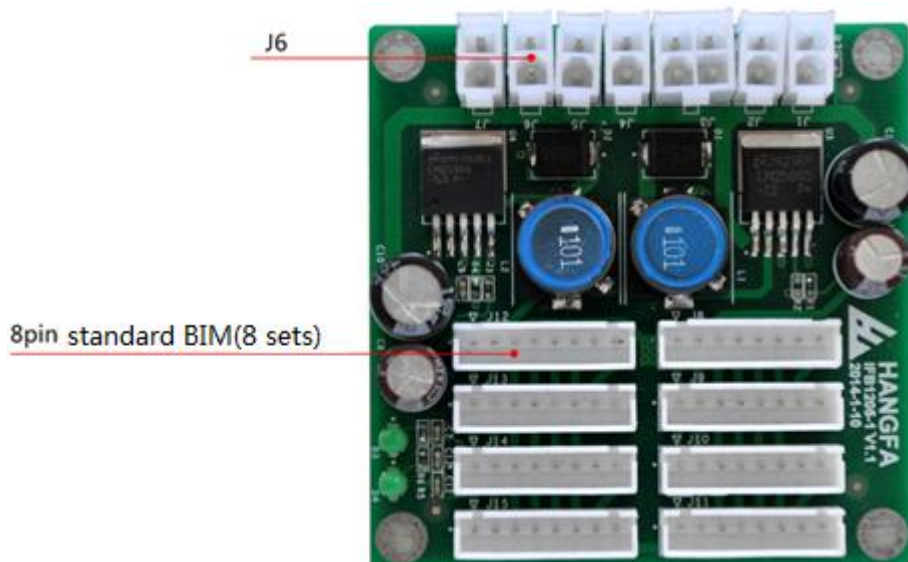
Step 3: Assemble the fuse and turn on the power source switch.

the power indicator light should be lighted up, If you push the robot platform slightly, you would feel the self-lock drag forth to the motor produced by servo driver.

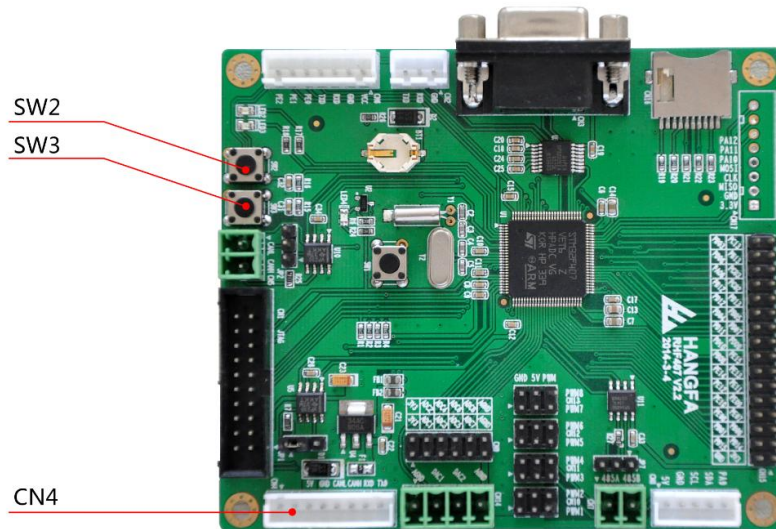
Step 4: Connect one side of the single gray cable bus in the case to any 8PIN plug of IFB1205 board, and the other side to the RHF407 board from the top panel thread hole.

Step 5: Fix the RHF407 board on the set position and fix the top panel on the robot. Then connect the gray cable side which is out of the thread hole to the CN4 port of RHF407 board.

Step 6: Position the robot onto the vacant flat surface and turn on the power switch. After that, the LED1 on the RHF407 board will twinkle. Then separately click the SW2 and SW3 button on the RHF407 board to make two demonstration movement programs operate.



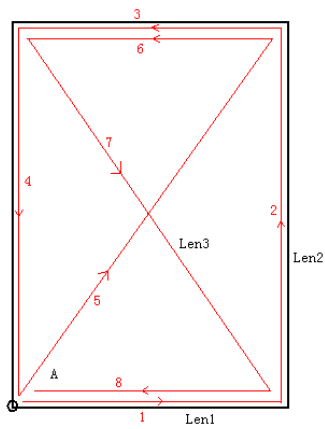
IFB1205 Power Source and BIM



RHF407 Development Board

4.1 Position Parallel Movement DEMO

Click the RHF407 SW2 button, the robot will make a parallel movement according to the route of the below rectangle. The rectangle width is 0.8m, length is 1.6m.



4.2 Self-movement in Place DEMO

Click the RHF407 SW3 button, the robot will make self-movement in place for 20 seconds.

5 System Brief Introduction

5.1 Typical Research and Application Area

Research on pattern recognition technology	Electronic Engineering Experiment
Research on Path Planning Technology	Mechanical engineering experiment
Research on automatic driving technology	Embedded system development and experiment
Research on sensor technology	Research on image processing technology
Research on artificial intelligence technology	Research on multi robot cooperation technology
Handling and storage applications	Map rendering application
Monitoring and investigation application	Application of flexible manufacturing system
Robot competition	

5.2 Specification Parameters

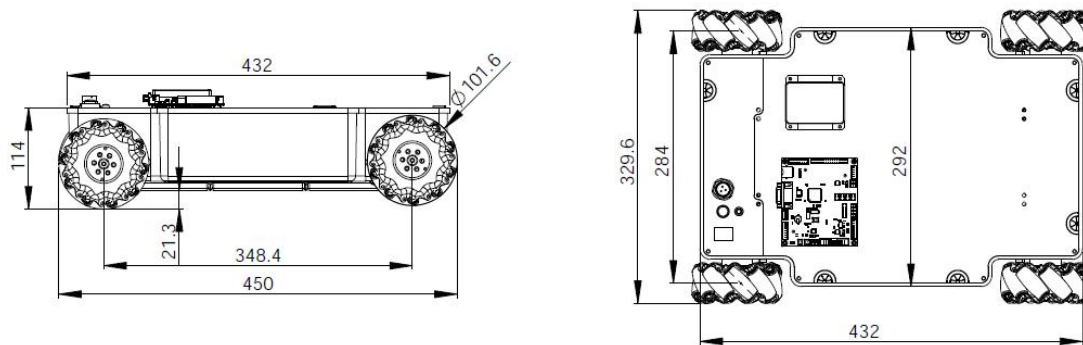
Table 1.Compass Q2 Specification Parameters

Body structure:	Aluminum Alloy Molding Whole Shape
Dimension:	450×330×115mm
Driven wheel:	QMA-10 Omni wheel
Diameter of driving wheel:	101.6mm
Driven mode:	four-wheel independent drive
Suspend kind	rocker arm suspension
Minimum space between robot to ground:	22.5mm
Rated load capacity:	20kg
Maximum translational speed:	0.75m/s
Maximum rotation speed:	215° /s
Adaptive ground	indoor, bituminous ground ,concrete ground with little depression
Typical duration time	10h(load capacity 10KG,moving speed
Standby time	>30h
Charging time	4h
Support electricity output	5V @ 2.5A
	12V @ 2.5A
	(22~29.2V) @ >5A
Battery output	24V
Battery capacity	7.8Ah
Battery	lithium-ion battery
Battery fast change:	Support
Charger input voltage	AC100V~240V
Interface	direct plug-in
Charging current:	3A
The default specification of The power of	5×20/10A

insurance tube:	
DEMO development board model	STM32F407

6 Mechanical systems

6.1 Dimensions



6.2 Main structure

Compass Q2 is made by aluminum alloy casting process, the bottom and the inside with a protruding ribs, support ear, which will reduce the connection of platform, so it will make full use of the material properties. The main structure is one-time producing which makes it with high strength and high rigidity; it avoids the shortcomings such as poor precision, poor integration error and poor rigidity of the assembly of the steel plate.

6.3 Motor

Compass Q2 uses HFmotor-3230 motor. Test parameters:

Rated voltage: 24V

Rated current: 1.45A

Rated output power: 31W

No load rotating speed: 6450rpm

Rated rotating speed: 5230rpm

Reduction ratio: 24:1

Encoder :500 line/rev, A、 B phase output

Encoder rated voltage: 5V



6.4 Omni wheel



Table2 The main parameter of QMA-10 Omni wheel

Hangfa Industrial QMA-10 Omni wheel	
Diameter	101.6mm
wide	45.7mm
Roller number	10
Bearing number	20
Hub materials	steel
Load capacity	30kg

6.5 Rocker suspension

Rocker suspension structure enables the 4 wheels to touch the ground and be driven evenly. This suspension system can help reducing vibration when passing the rough ground. The Polyurethane shock absorber helps reducing vibration when the platform is moving. In this way, the working environment of the added equipment would be improved.

6.6 Users extension platform

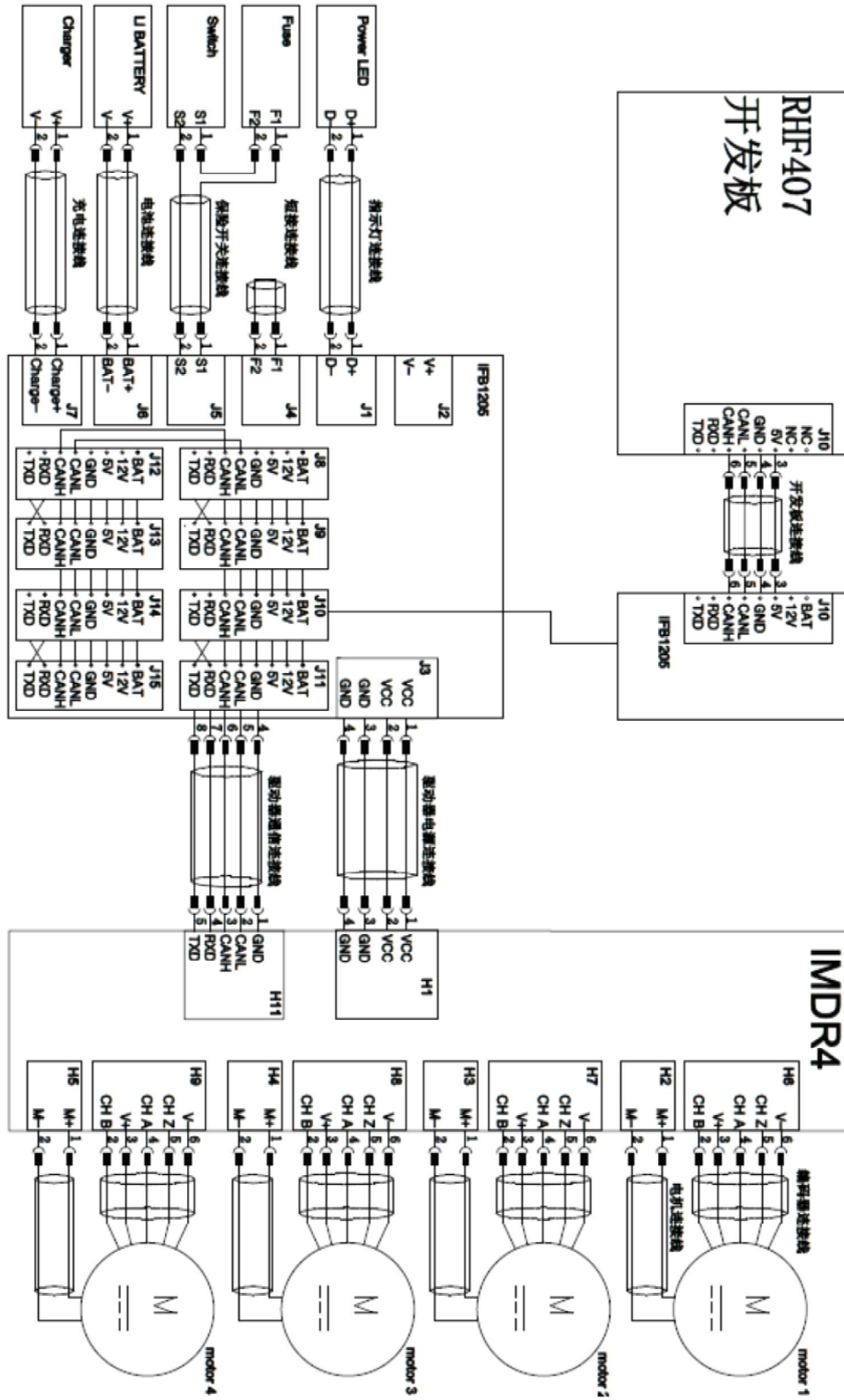
The plate on the robot is made of one big board and one small board. There is power source switch on the small board, please do not disassemble it. The big board is for user to extend. Users can add other equipment and structure to this board as required.

6.7 The thread hole

There are many thread holes on the plate with rubber ring. The hole is for connection of thread outside of the robot and inside of the robot. The half-opened thread ring only requires the thread to be pushed to the thread ring, no need to cross the plate.

7 Electric system

7.1 Electrical principle drawing



7.2 IMDR4 Four shaft driver

7.2.1 The Module overview

This module is used to drive the four dc servo motors and provide accurate speed closed-loop control. It also integrates motion control algorithm of the four omnidirectional wheels. Users can realize the overall chassis motion control or directly for each motor motion control through the communications via CAN bus and RS232 interface.

For more details, please check IMDR4 four shaft driver Can communication protocol , and MDR4 four shaft drive UART communication protocol .

7.2.2 Interface description

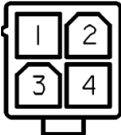
7.2.2.1 Interface summary

Table3 IMDR4 Interface summary

Interface serial number	Description	Remark
H1	Power input	
H2	Motor 1 power interface	
H3	Motor 2 power interface	
H4	Motor 3 power interface	
H5	Motor 4 power interface	
H6	Motor 1 encoder interface	
H7	Motor 2 encoder interface	
H8	Motor 3 encoder interface	
H9	Motor 4 encoder interface	
H11	RS232、CAN bus interface	
JP2	CAN bus 120Ωresistance jump line	


7.2.2.2 H1, Main power input port.

Table4 IMDR4 main power input port

Pin No.	Description	note
1	GND	
2	GND	
3	VCC	
4	VCC	

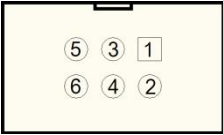
7.2.2.3 H2、H3、H4、H5, Motor 1、Motor 2、 Motor 3 、Motor 4 power input

Table 5 IMDR4 motor 1,2,3,4 Power interface

Pin No.	Description	note
1	M+, Motor+	
2	M-, Motor+	


7.2.2.4 H6、H7、H8、H9, Motor 1、Motor 2、 Motor 3 、Motor 4 encoder interface

Table6 IMDR4 motor 1、 2、 3、 4 encoder port

PIN number	description	remark
1	NC	
2	CH B	
3	5V	
4	CH A	
5	NC	
6	GND	

7.2.2.5 H11, communication port

Table 7IMDR4 motor 1、 2、 3、 4 communication port

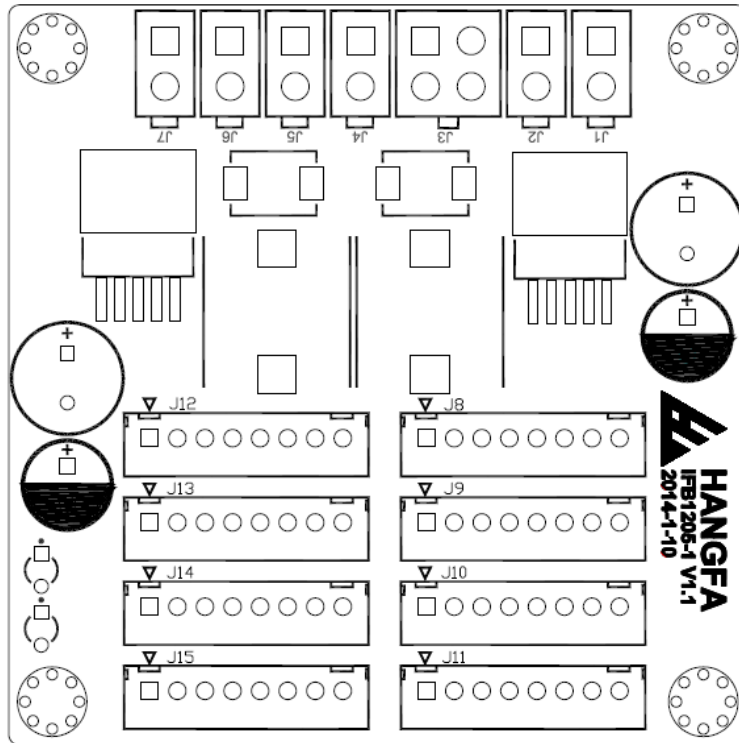
PIN number	description	remark
1	GND	

2	CANL	
3	CANH	
4	RXD	
5	TXD	

7.3 IFB1205 power and bus port module

7.3.1 Module summary

This module is used for power supply and line-concentrating of component and equipment. Supply battery power and two way step-down powers to users' equipment. The module **output** eight way power port and bus port, the users' can use electricity and communication network easily for the equipment through these port.



7.3.2 Port description

7.3.2.1 Port summary


Table8 IFB1205 port summary

Port number	Description	Remark
J1	Indicator light access port	
J2	user charge port	
J3	IFB1205 power output port	Used for connect IMDR4 drive
J4	Fuse access port	
J5	power main switch port	
J6	battery access port	
J7	Charger access port	
J8	Standard power and bus port	J8、J9 port's 5、6 pin cross connect
J9	Standard power and bus port	

J10	Standard power and bus port	J10、J11 port's 5、6 pin cross connect
J11	Standard power and bus port	
J12	Standard power and bus port	J12、J13 port's 5、6 pin cross connect
J13	Standard power and bus port	
J14	Standard power and bus port	J14、J15 port's 5、6 pin cross connect
J15	Standard power and bus port	


7.3.2.2 J1, Indicator light access port

Table 9 IFB1205 Indicator light access port

PIN number	Description	Remark
1	D+	
2	GND	

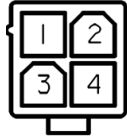
7.3.2.3 J2, user charge port

Table 10 IFB1205 user charge port

PIN number	Description	Remark
1	24V/BAT, voltage changed along with battery anode	
2	GND	


7.3.2.4 J3, battery power output

Table 11 IFB1205 battery power output port

PIN number	Description	Remark
1	GND	
2	GND	
3	24V/BAT	
4	24V/BAT	


7.3.2.5 J4, Fuse Port

Table 12. Ifb1205 Fuse Access Port

PIN number	Description	Remark
1	F1, Fuse PIN1	
2	F2, Fuse PIN2	


7.3.2.6 J5, Power Main Switch Port

Table 13. Ifb1205 Power Main Switch Port

Pin number	Description	Remark
1	S1, Switch PIN1	
2	S2, Switch PIN2	

7.3.2.7 J6, Battery Access Port


Table 14. Ifb 1205 Battery Access Port

Pin number	Description	Remark
1	BAT+	
2	BAT-	

7.3.2.8 J7, Charger Access Port

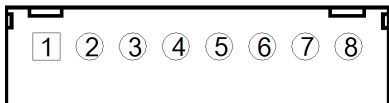
Table 15. Ifb1205 Charger Access Port

Pin	Description	Remark
-----	-------------	--------

number		
1	Charge+	
2	Charge-	

7.3.2.9 J8-J15, Standard Bus Port

Table 16.Ifb1205 Standard Power Bus Port

Pin number	Description	Remark
1	24V/BAT	
2	12V	
3	5V	
4	GND	
5	CANL	
6	CANH	
7	RXD	
8	TXD	

7.4 RHF 407 Development Board

Please check "RHF 407 user manual".

8 User Extend

Hardware in the robot can be extending through many ways:

8.1 Bus Extend

The equipment which have CAN bus port can access bus through 8 PIN standard ports on the IFB1205 board, and realize equipment connection. Meanwhile, it can realize connect two each other which have RS232 port through 8 PIN standard ports on the IFB1205 board.

8.2 RHF407 Extend

The RHF407 development board has lots of source, it can access various equipment. Following source: CAN×2, RS232×2, TTL*1, RS485×1, SPI×1, I2C×1, ADC×8, DAC×2, PWM×8, LED×2, button×2, independence I/O×24, repeat use I/O×29, TF card port×1, RTC spare battery, Repeat use TFT LCD port×1.

8.3 Design Your Own Main Control Unit

The users can design their own main control unite according to application requirement.

8.4 Accessories Can Be Choose

Remote controller and receiver	motion sensor	electronic compass
Line sensor module	vision camera	speaker and microphone
Ultrasonic ranging sensor	GPS locator	WIFI to serial module
IR sensor module	accelerometer	WAN to serial module
Laser radar	gyroscope	Bluetooth to serial module
panoramic cameras	inclinometer	

9 Packing List

1. robot platform(robot platform×1, QMA-10L Mecanum wheel×2, QMA-10R Mecanum wheel×2, motor×4, Four-Axes Servo×1, Lithium battery×1, IFB1205×1)
2. Lithium battery charger
3. RHF407 development board
4. CD
5. Certificate
6. Packing list paper

10 Technical Support and Quality Guarantee

Hangfa offers free lifetime technical support for Compass Q2 in working days. And offers free warranty service for a year from delivering day.



HANGFA

CHENGDU HANGFA HYDRAULIC ENGINEERING CO., LTD
No.220 Gangbei 3rd road, North Area, Chengdu Modern Industrial Park
TEL: 028-87893560 -1041
Fax: 028-87893539
Email: sales2@hangfa.com
Web: www.hangfa.com